

1 2 3 4 5 6

A

A

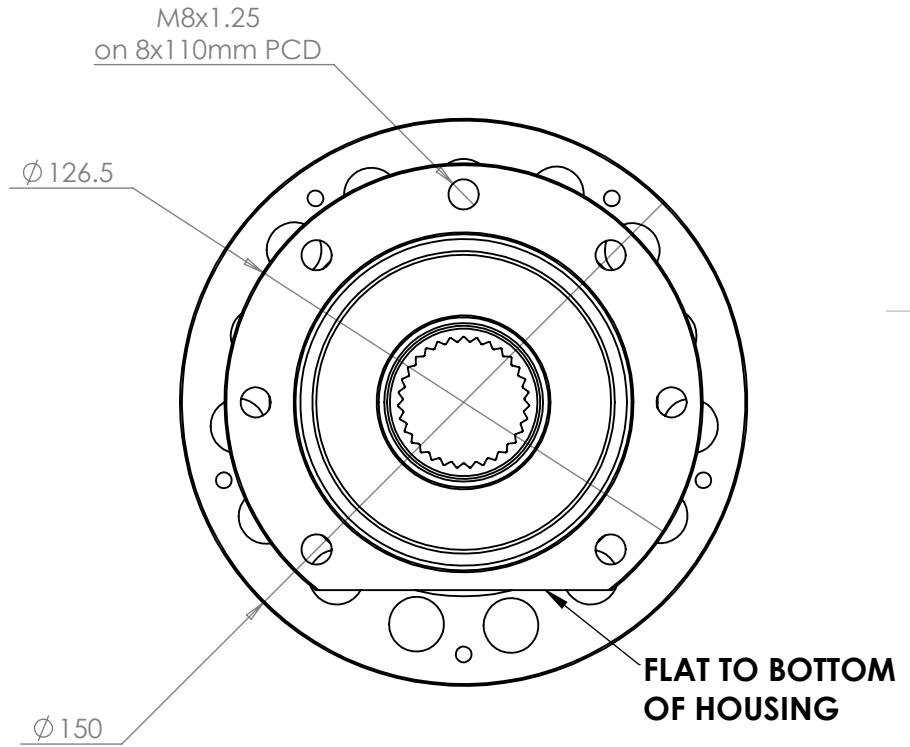
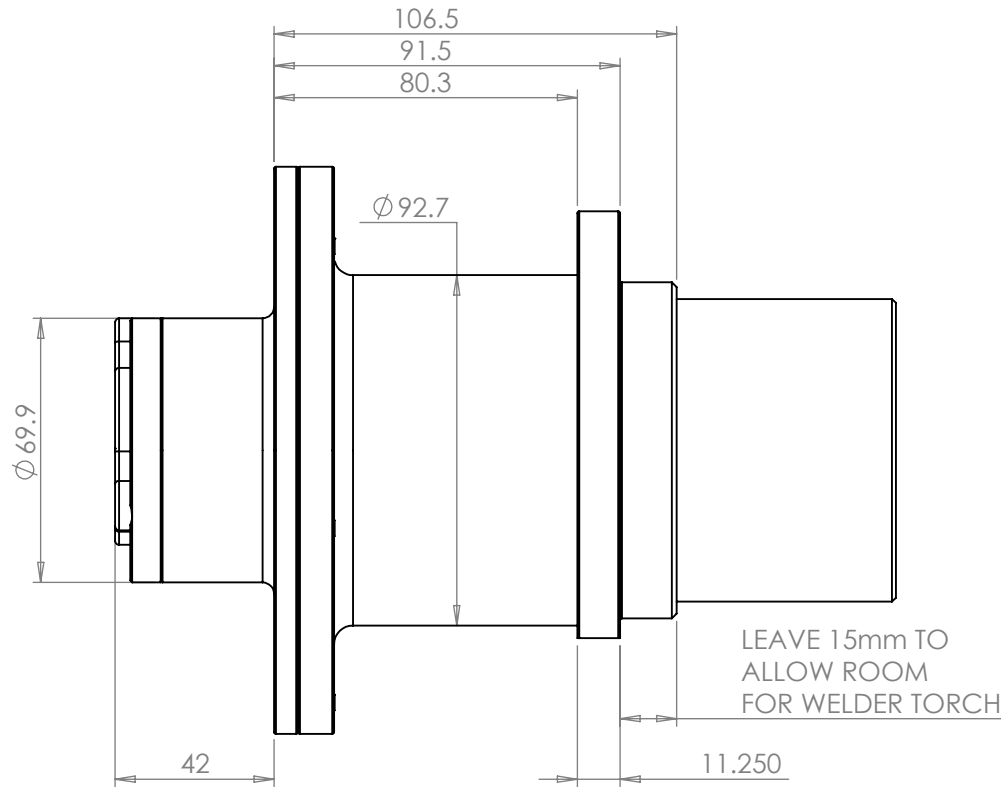
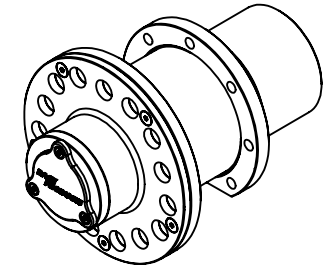
B

B

C

C

D



FINISH:  DEBUR AND BREAK ALL SHARP EDGES WITH .5mm FILLET UNLESS SPECIFIED	DO NOT SCALE DRAWING	REVISION
	<b>RACE PRODUCTS</b>	
	DESCRIPTION. 1500 SERIES INSTALLATION WITH 1519 SPINDLE	A4
	PART NO.	DWG NO.
WEIGHT:	SCALE:1:2	SHEET 1 OF 1

ISSUE	REVISION	NAME	DATE	ALL DIMENSIONS ARE IN MILLIMETERS UNLESS SPECIFIED	GENERAL TOLERANCES	NAME	SIGNATURE	DATE	MATERIAL:
A	INITIAL RELEASE	DC	31/1/16	THIS DRAWING OR DESIGN IS STRICTLY CONFIDENTIAL AND REMAINS THE EXCLUSIVE PROPERTY OF BONNERGROVE PTY LTD AND MAY NOT BE USED OR COPIED WITHOUT THEIR WRITTEN CONSENT	NO PLACES DEC. +/- 0.25	DRAWN	DC	31/1/16	
					1 PLACES DEC. +/- 0.10	APPV'D			
					2 PLACES DEC. +/- 0.05	QA			
					ANGULAR +/- 0.50				
				ANGULAR +/- 0.25					